

ON-5

Power by KUBOTA

KUBOTA Z482

Prime power:5.5KVA/5.5KW

Standby power:6KVA/6KW



GENERATING POWER SOLUTIONS

Increased availability for new operations

Reliable, robust and versatile generator.
Ready to deliver power for a next job.

Increased uptime during operations

Once installed on the end-user-site, the generator will be ready to run: "peace of mind" operation.

Reduced transport and installation costs

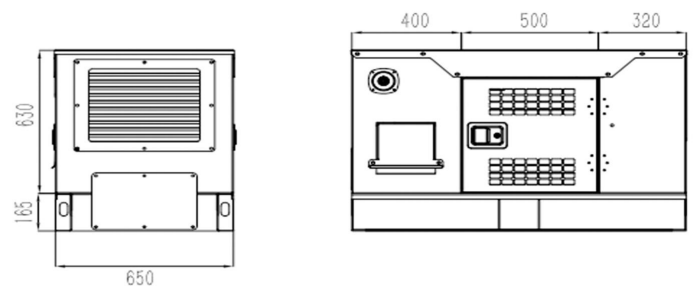
The compact and robust design with integrated transport features enables faster and safer transport and installation.

Reduced service & maintenance costs

Longer service intervals.
Quicker and more efficient service jobs.

Premium resale value

Designed and built to last.



ONEWPOWER

WWW.ONEWPOWER.COM

Technical Data

Model ON-5

Rated prime power	kva	5.5
Rated standard power	kva	6
Rated voltage line to line	V	110/220
Maximun sound level	dB(@7m)	≤ 61

Engine

Model		Z482
Aspiration		Turbocharged and aftercooled
Fuel system		mechanical pump
No. cylinders		2
Displacement	Liquid	0.479
Bore*Stroke	mm	67*68
Compression ratio		15
Rated speed	r/min	1500
Rated net power(with fan)	Kw	5
Governor type		mechanical speed governors

Exhaust system

Exhaust gas flow	L/s	242
Exhaust gas temp	° F (° C)	<500
Max back pressure	in Hg	12

Aspiration system

Max inlet pressure	kPa	≤3.5
Combustion volume	L/s	/
Air flow	L/sec	233

Fuel system

100% load(Prime power)	L/h	2.2
75% load(Prime power)	L/h	1.9
50% load(Prime power)	L/h	1.6
Fuel tank capacity	L	15

Lubrication system

Oil capacity	L	15
Oil consumption	g/kwh	0.2
Oil pressure	kPa	0.1-0.5
(continuous operation)		

Cooling system

Coolant capacity	L	2
Thermostat operation range	°C	76-88
Max water temperature	°C	98

Alternator

Model		ON-5
Phase		1
Voltage	V	110/220
Wiring Type		3 wire
Bearing		1
Power factor		1
Frequency	Hz	50
Prime power	KW	5.5KW
Exciter Type		Brushless, self-excitation
Voltage regulation	%	±0.5
Protection Grade		IP 23
Insulation grade		H/H
Altitude	m	≤1000

Controller

Model	DSE6120MK3
-------	------------

Protective functions:

- Low oil pressure
- High water temperature
- High/low voltage
- High Engine Temperature and Overspeed.
- Voltage regulator frequency regulator
- Emergency stop
- Start failure



Control Module Options



- Auto generator control module
- Control module with "Three Remote Control" functions
- ATS auto load transfer screen
- Synchronising control modules
- Power output cabinet

Standard features

- Engine
- Radiator 50°C max, fans are driven by belt
- 24V charge alternator
- Alternator: single bearing alternator IP23, insulation class H/H
- Standard auto control system
- One set of air filter, fuel filter, oil filter
- Main line circuit breaker/MCCB
- Base fuel tank
- Two 24V batteries, rac and cable
- Exhaust system(Ripple flex exhaust pipe, exhaust siphon, flange, muffler)
- User manual

Options

- Battery charge
- Engine heater
- Alternator heater
- PMG
- Water oil separator
- Daily fuel tank
- Remote control panel
- Automatic transfer switch/ATS
- Switch box
- Standard: ● Options:○

Warranty

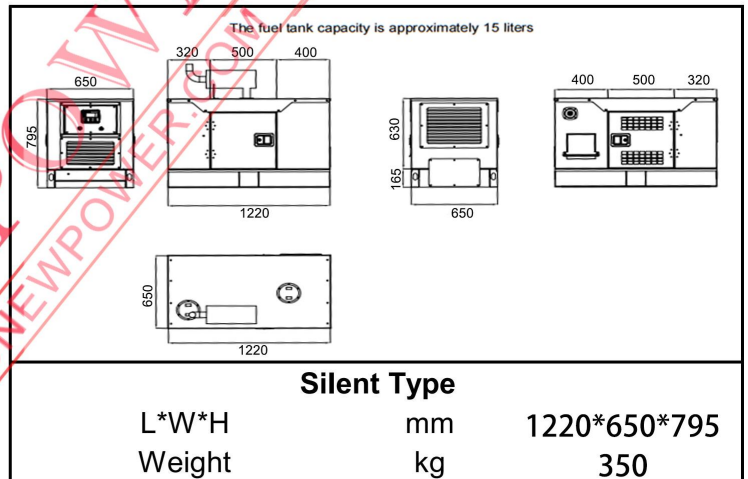
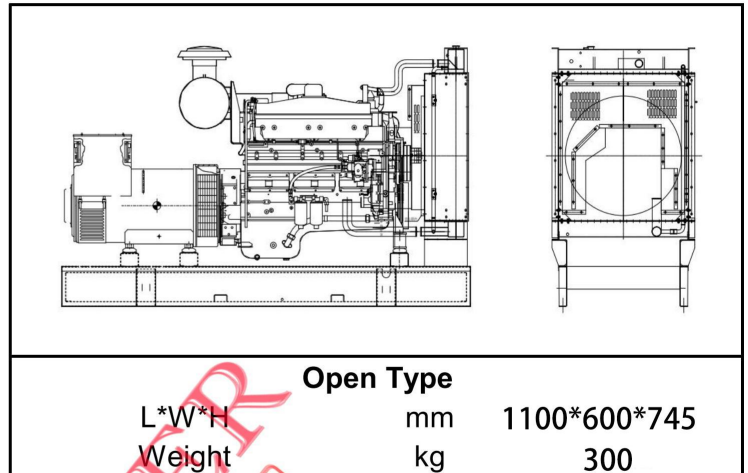
Weichai Engine

12 months from date of purchase and 1000 hours.

Generator

12 months from date of purchase or 1000 hours (whichever occurs first).

Dimensions



ONEWPOWER

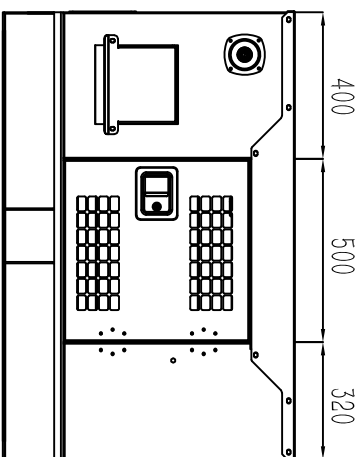
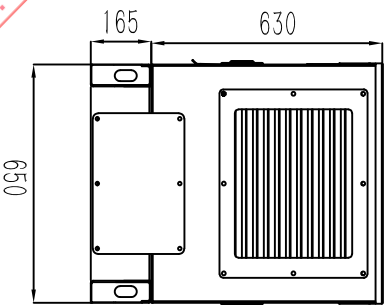
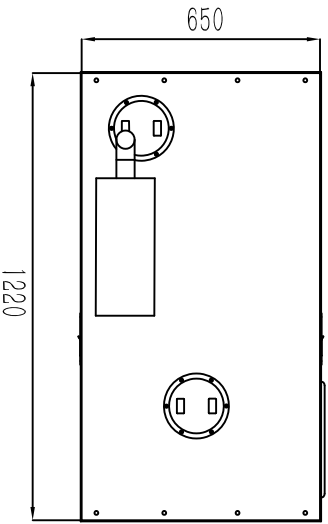
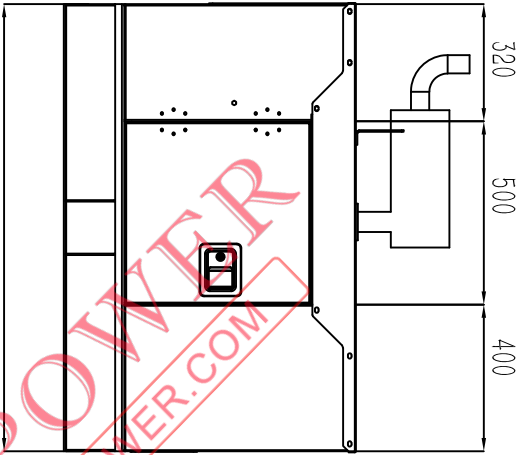
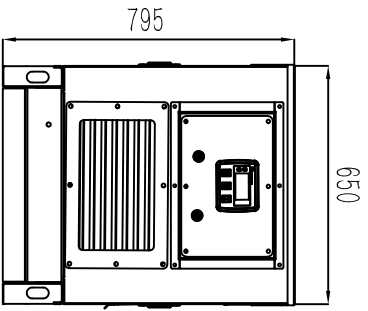
ADD: NO . 1 0 7 XIYUAN ROAD , JINAN DISTRICT, FUZHOU CITY, FUJIAN, CHINA

Phone: 15980204507 E-mail: jina@onewpower.com

WWW.ONEWPOWER.COM



The fuel tank capacity is approximately 15 liters



ONEWPOWER
WWW.ONEWPOWER.COM