

ON-1125

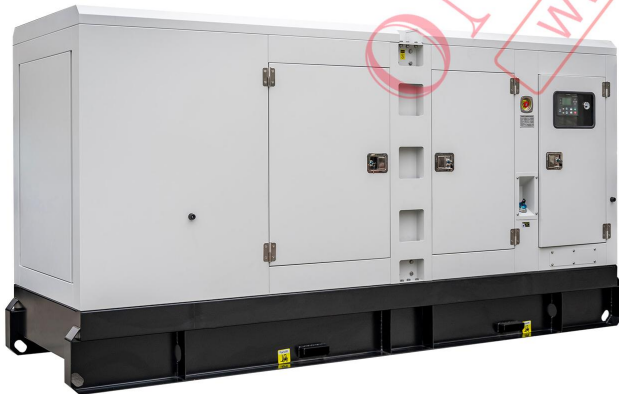
Power by Perkins

4008-30TAG3

Prime power: 900KW/1125KVA

Standby power: 1000KW/1250KVA

GENERATING POWER SOLUTIONS



Increased availability for new operations

Reliable, robust and versatile generator. Ready to deliver power for a next job.

Increased uptime during operations

Once installed on the end-user-site, the generator will be ready to run: "peace of mind" operation.

Reduced transport and installation costs

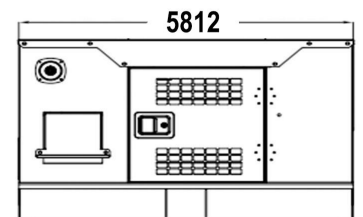
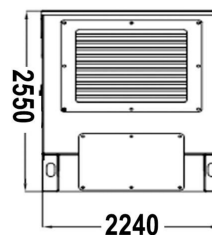
The compact and robust design with integrated transport features enables faster and safer transport and installation.

Reduced service & maintenance costs

Longer service intervals. Quicker and more efficient service jobs.

Premium resale value

Designed and built to last.



ONEWPOWER

WWW.ONEWPOWER.COM

DIMENSION		OPEN TYPE	SILENT TYPE
Length (L)	mm	4410	5812
Width (W)	mm	2000	2240
Height (H)	mm	2250	2550
Dry weight	kg	7850	10970
Fuel tank	L	TBD	TBD

Technical Data

Model ON-1125

Rated prime power	KW	900
Rated standard power	KW	1000
Rated voltage line to line	V	380~415
Maximun sound level	dB(@7m)	≤72

Engine

Model	4008-30TAG3	
Aspiration	Turbocharged	
Fuel system	mechanical pump	
No. cylinders	8	
Displacement	Liquid	30.561
Bore*Stroke	mm	160*190
Compression ratio	13:1 nominal	
Rated speed	r/min	1500
Rated net power(with fan)	Kw	1000
Governor type	Electronical	

Exhaust system

Exhaust gas flow	203 m³/min	
Exhaust gas temp	° F (° C)	<473
Max back pressure	7.0 kPa	

Aspiration system

Max inlet pressure	kPa	≤3.5
Combustion volume	L/s	/
Air flow	TBD	

Fuel system

100% load(Prime power)	L/h	244
75% load(Prime power)	L/h	188
50% load(Prime power)	L/h	120
Fuel tank capacity	L	TBD

Lubrication system

Oil capacity	L	153
Oil consumption	g/kwh	28.3
Oil pressure	kPa	10
(continuous operation)		

Cooling system

Coolant capacity	L	48
Thermostat operation range	°C	76-88
Max water temperature	°C	98

Alternator

Model	ON-1125	
Phase	3	
Voltage	V	380~415
Bearing	1	
Power factor	0.8	
Frequency	Hz	50
Prime power	KW	900
Exciter Type	Brushless, self-excitation	
Voltage regulation	%	±1.0
Protection Grade	IP 23	
Insulation grade	H/H	
Altitude	m	≤1000

Controller

- Model
- Protective functions:
- Low oil pressure
 - High water temperature
 - High/low voltage
 - High Engine Temperature and Overspeed.
 - Voltage regulator frequency regulator
 - Emergency stop
 - Start failure



Control Module Options



- Auto generator control module
- Control module with "Three Remote Control" functions
- ATS auto load transfer screen
- Synchronising control modules
- Power output cabinet

Standard features

- Engine ●
- Radiator 50°C max, fans are driven by belt ●
- 24V charge alternator ●
- Alternator: single bearing alternator IP23, insulation class H/H ●
- Standard auto control system ●
- One set of air filter, fuel filter, oil filter ●
- Main line circuit breaker/MCCB ●
- Base fuel tank ●
- Two 24V batteries, rac and cable ●
- Exhaust system(Ripple flex exhaust pipe, exhaust siphon, flange, muffler) ●
- User manual ●

Options

- Battery charge ○
- Engine heater ○
- Alternator heater ○
- PMG ○
- Water oil separator ○
- Daily fuel tank ○
- Remote control panel ○
- Automatic transfer switch/ATS ○
- Switch box ○
- Standard: ● Options: ○

Warranty

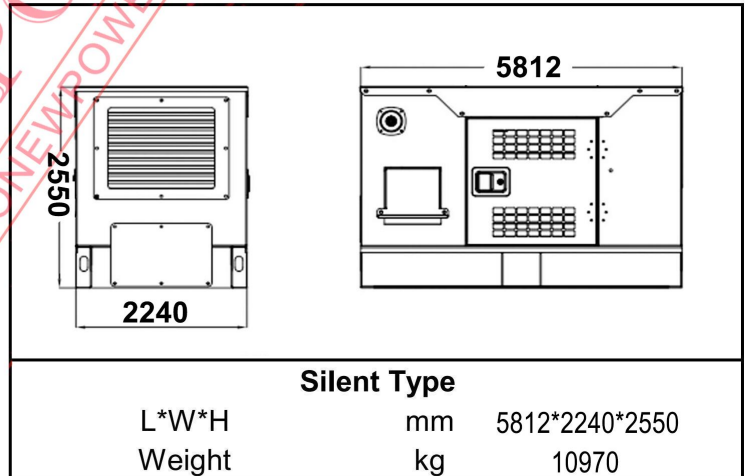
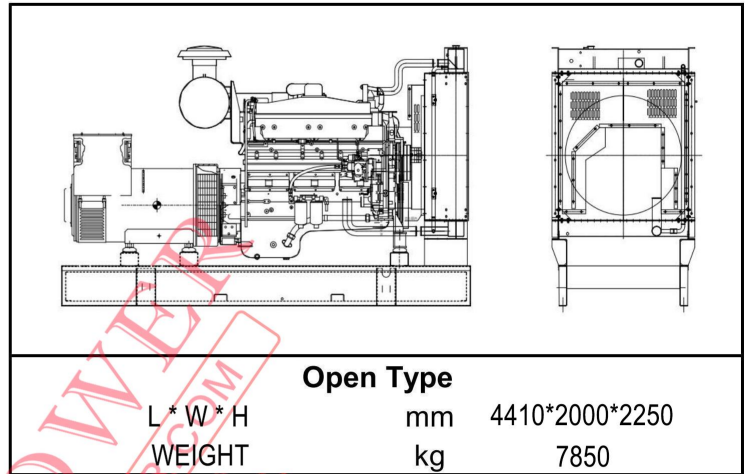
CUMMINS ENGINE

12 months from date of purchase and 1000 hours.

Generator

12 months from date of purchase or 1000 hours (whichever occurs first).

Dimensions



ONEWPOWER

ADD: NO . 1 0 7 XIYUAN ROAD , JINAN DISTRICT, FUZHOU CITY, FUJIAN, CHINA

Phone: 15980204507 E-mail: jina@onewpower.com

WWW.ONEWPOWER.COM

